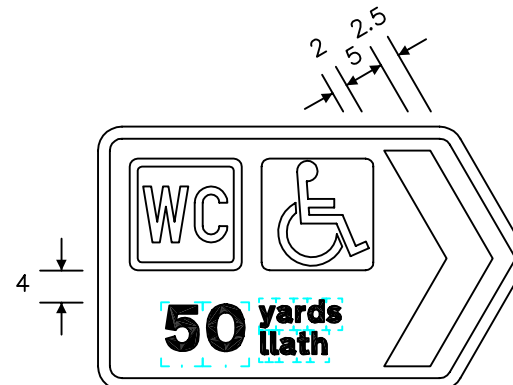
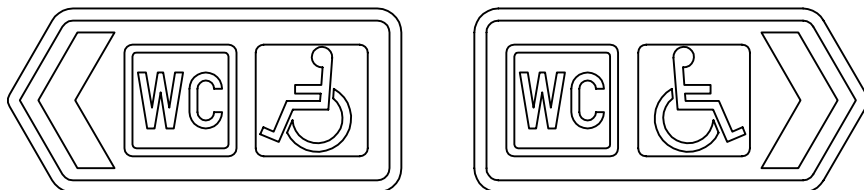
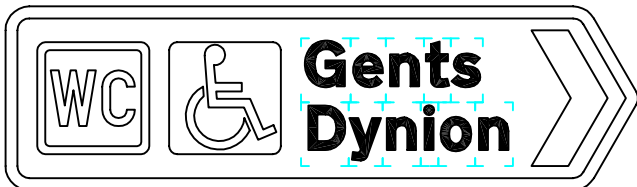
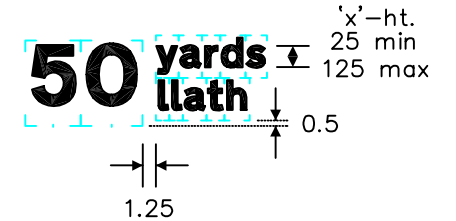
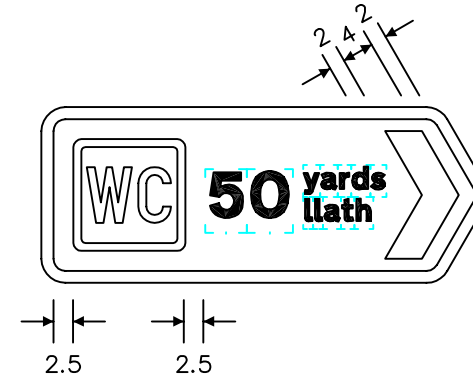
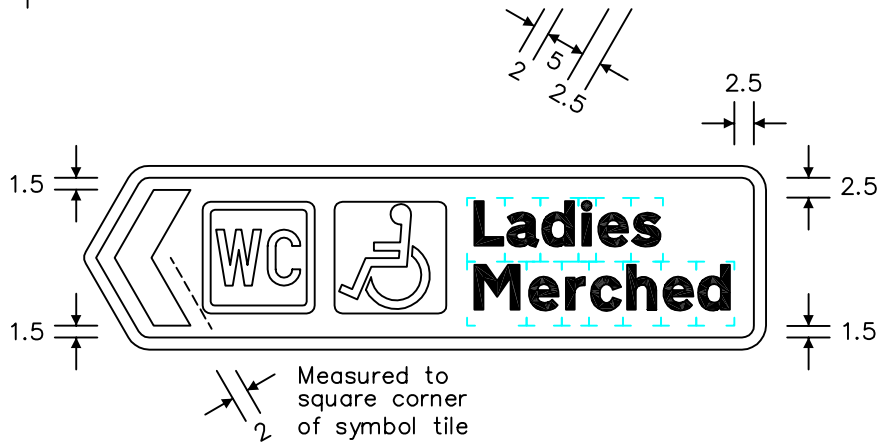
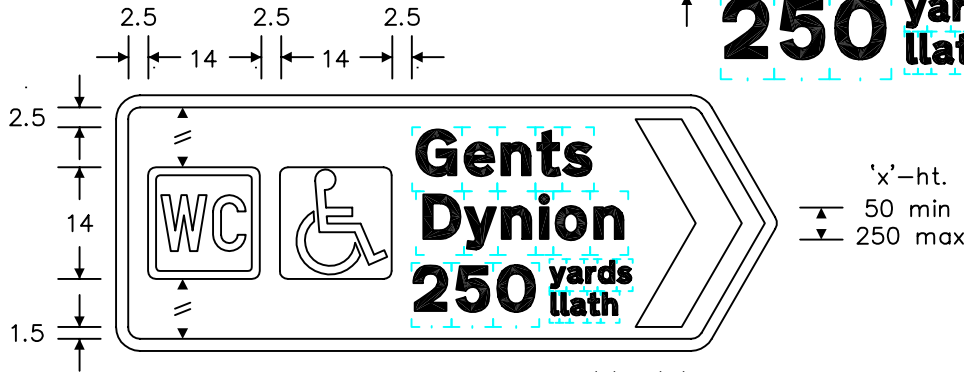


Notes: -

1. The legend is from the Transport Heavy alphabet at the 'x'-heights shown.
2. Details of the 'WC' and 'Wheelchair' symbols are given on drwgs S 44 and S 45.
3. The outlines of the tiles do not form part of the sign.
4. The colours are as follows: -
 Background _____ White
 Border, legend, chevron & 'WC' symbol _____ Black
 Wheelchair symbol _____ White on Black tile
5. The illumination of the sign must accord with the requirements of the current 'Traffic Signs Regulations and General Directions'.
6. The 'x'-heights are given in millimetres, all other dimensions are given in stroke widths based on the main legend (i.e. $1s/w = 1/4x'$ -height).
7. The sign is designed in accordance with the current design rules.
8. The order of languages may be reversed if required.

Dynion
250 yards
llath



REVISIONS	
1. Redrawn & notes amended	22.8.00
2. Variants & notes amended	6.8.04
3. Legend amended	7.11.06
Before using this drawing, confirm with RNM3 Division that it has not been superseded.	
Drn. A.T.I.	Appd.
Chkd.	Appl. date 29.8.97
Issue: 7.11.06	
Scale: Photo-reduced	
Title	Direction Signs
TOILETS	
WELSH ASSEMBLY GOVERNMENT	
Drwg. no.	WAG/P 2323