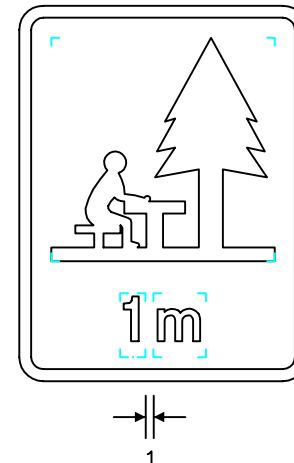
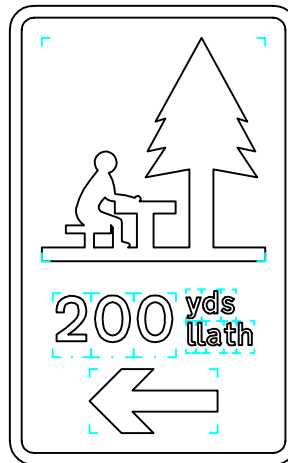
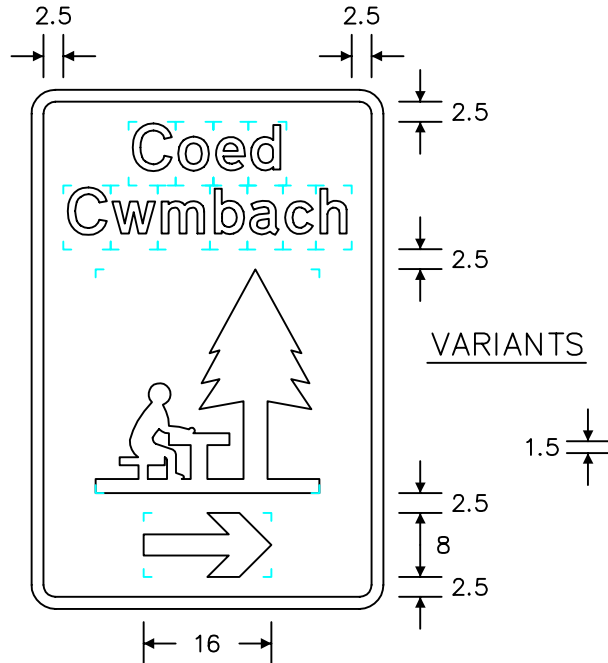
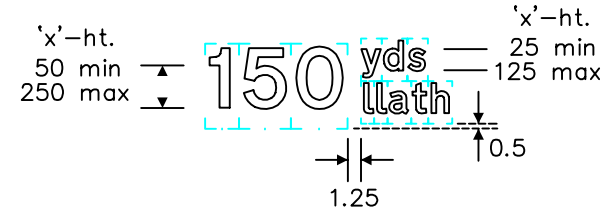
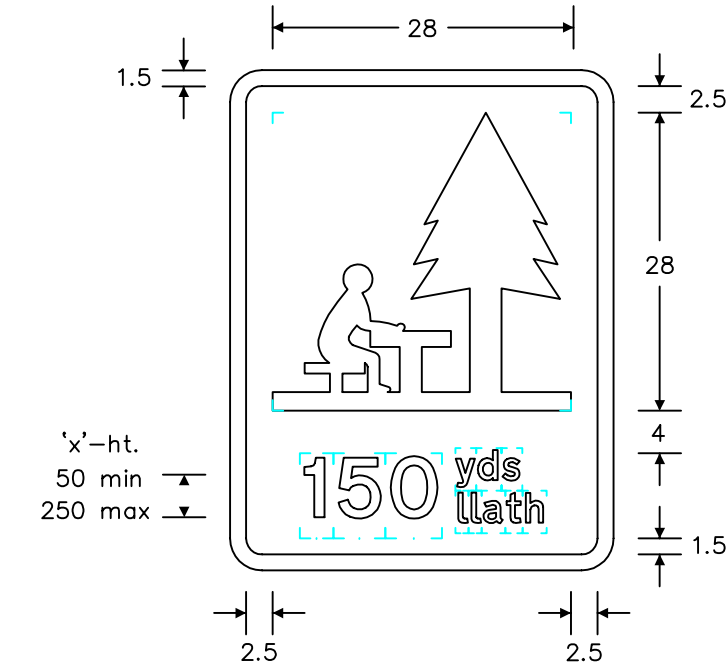


Notes:-

1. The legend is from the Transport Medium alphabet at the 'x'-heights shown.
2. The outlines of the tiles do not form part of the sign.
3. Details of the picnic area symbol are given on drawing T4.
4. The colours are as follows:-
Legend, symbol, arrow & border _____ White
Background _____ Brown
5. The illumination of the sign must accord with the requirements of the current 'Traffic Signs Regulations and General Directions'.
6. The 'x'-heights shown are given in millimetres, all other dimensions are given in stroke widths based on the numeral 'x'-height. (i.e. 1s/w = 1/4'x'-height).
7. The sign is designed in accordance with the current design rules.
8. The order of languages may be reversed if required.



VARIANT
Distance in miles

REVISIONS	
1.	Dimensions amended 3.1.90
2.	Redesigned, no. chgd. from WO/WBM 752.1A 10.7.97
3.	Redrawn & notes amended 21.8.00
4.	Variants amended 24.1.06
Before using this drawing, confirm with RNM3 Division that it has not been superseded.	
Drn.	A.T.I.
Appd.	
Chkd.	Appl. date 7.11.86
Issue: 24.1.06	
Scale: Photo-reduced	
Title Tourist Facility Sign	
DISTANCE AHEAD TO A PICNIC AREA (and variants)	
WELSH ASSEMBLY GOVERNMENT	
Drwg. no.	WAG/P 2305